

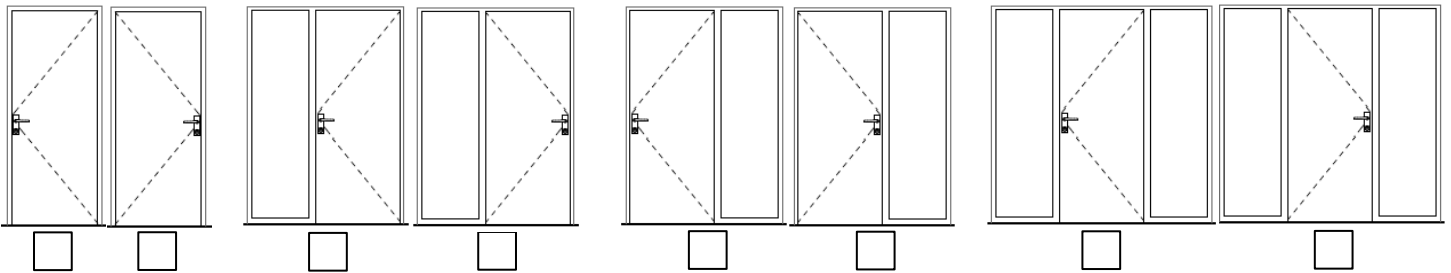
ALUMINIUM FRAME ORDER FORM

Quote Request
 Order

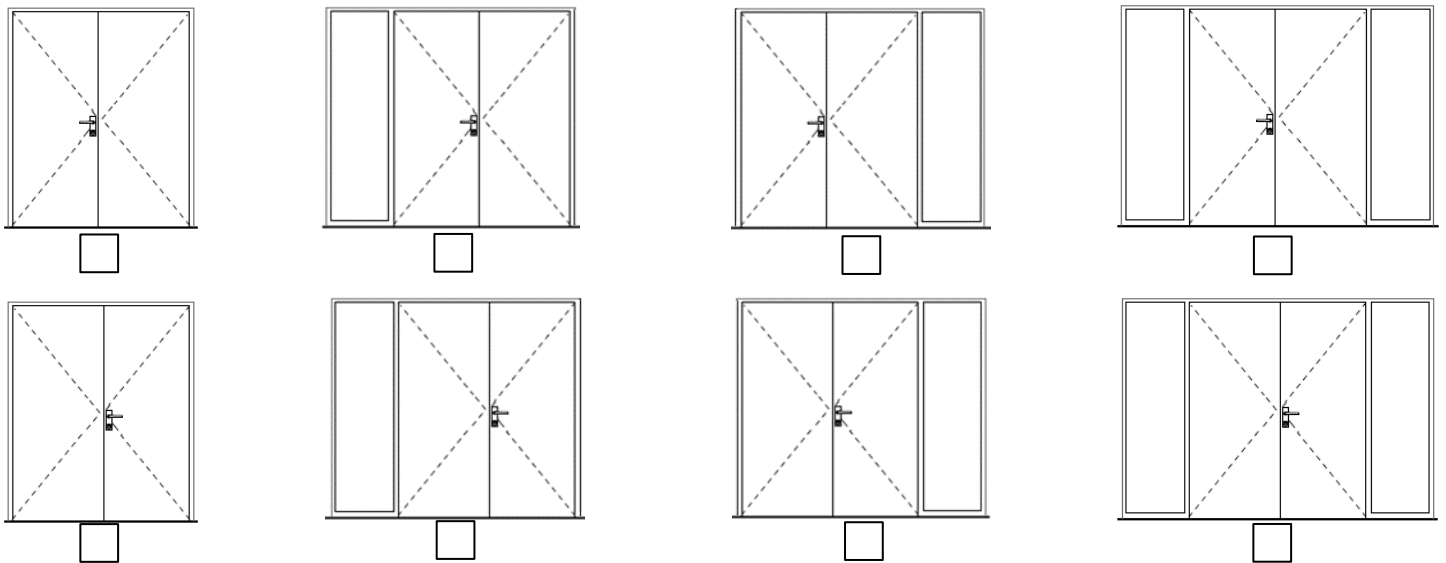
Frame Height	
Frame Width	
Door Type	
Door Width	
Door Colour	
Frame Colour	
BAL Rating (if required)	BAL40 <input type="checkbox"/> BAL29 <input type="checkbox"/> BAL19 <input type="checkbox"/> BAL12.5 <input type="checkbox"/>

PO NUMBER	
JOB NAME	
Lock Code to Drill for	
Lock Height to Spindle	
30 x 20mm Angle for trim	
Sidelight Glass	
Hung Side - viewed from the outside. Frame is open in only.	

Single Frame Options:



Double Frame Options:



IMPORTANT - BAL Rating is based on AS3959 and demonstrates compliance for the frame only. It provides no compliance for the door fitted into the frame or for the complete unit.

BAL

- Frame complies up to BAL40 "deemed to comply" where unglazed. Glazing is allowed - 5mm Toughened glass must be used on the exterior pane. The interior pane can be 6.38 Laminated. The sidelights MUST be screened or protected with shutters.
- When glazed, with no screens or shutters, frame complies up to BAL19.

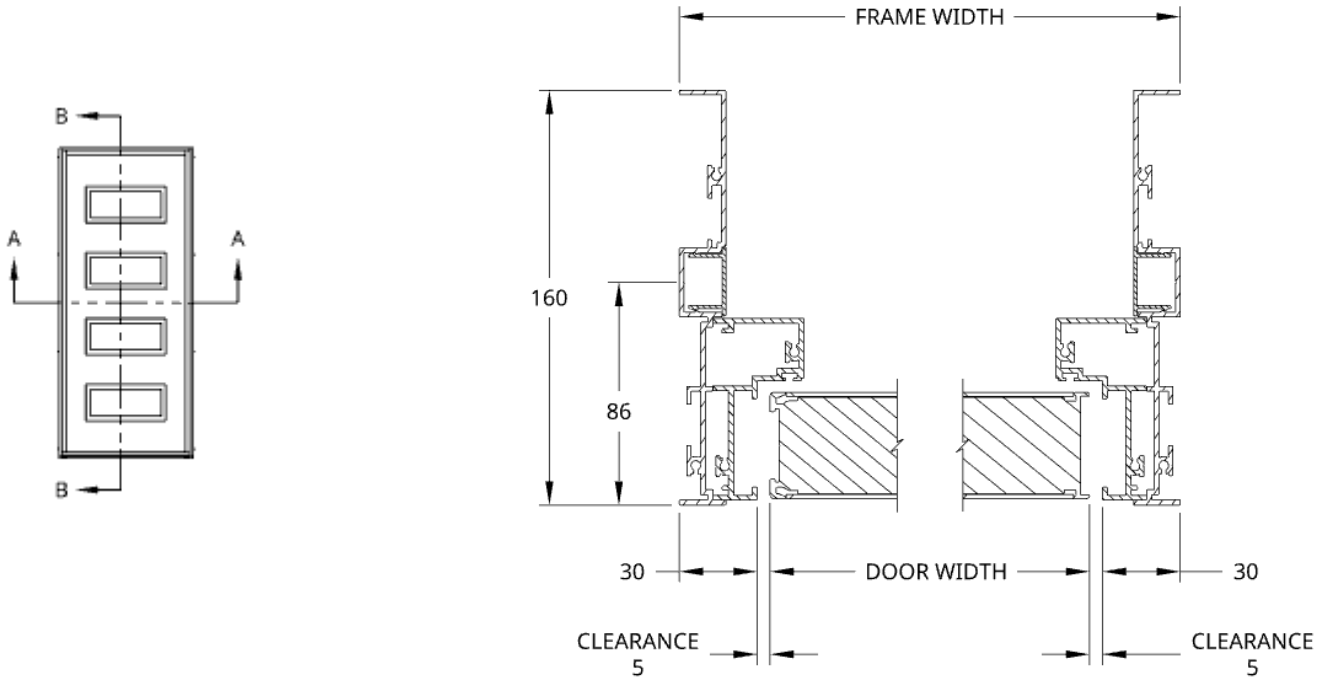
Glazing

- Unless the frame is BAL rated glass must be at least 6.38 Laminated or 4mm Toughened.
- Double glazing must be between 18 and 20mm thick.



NEW ZEALAND | 0800 10 10 28
 sales@parkwooddoors.co.nz
 parkwooddoors.co.nz
AUSTRALIA | 1800 681 586
 sales@parkwooddoors.com.au
 parkwooddoors.com.au

STRATA 160 ALUMINIUM FRAME ORDER FORM



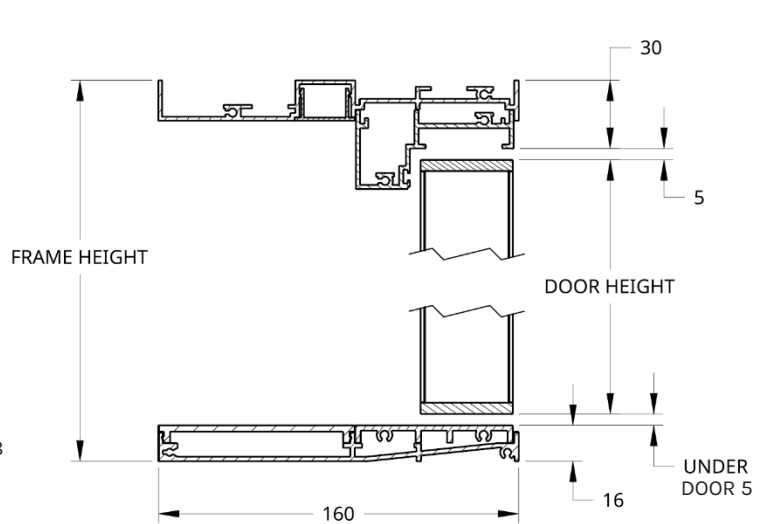
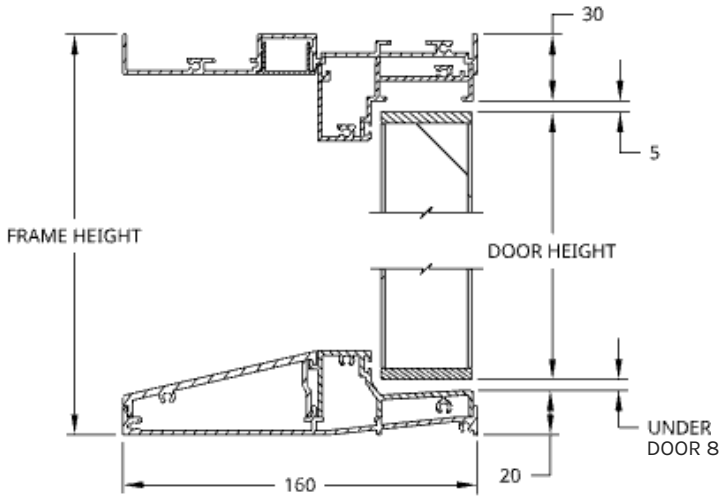
Sill Type:

Raised (Default)

Low Profile Sill

RP8 Bottom Seal Required

*not all doors can fit RP8s, including STTGV, please check the product pages of our website.



Please print name to confirm the above details are correct:

Date:



NEW ZEALAND | 0800 10 10 28
 sales@parkwooddoors.co.nz
 parkwooddoors.co.nz
 AUSTRALIA | 1800 681 586
 sales@parkwooddoors.com.au
 parkwooddoors.com.au