



# INSTALL INSTRUCTIONS—COMPLETE

## STRATA 160 RESIDENTIAL FRAME

### You will need

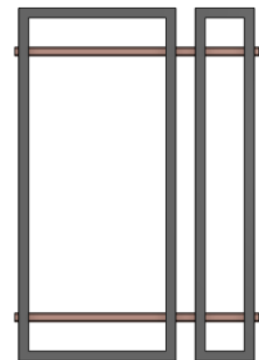
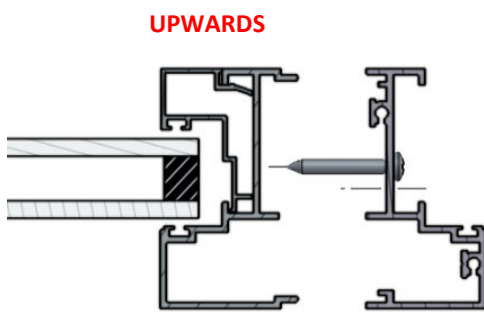
- Tape Measure
- Driver with #2 Square Bit
- Caulking Gun
- Rubber Mallet
- Level
- Plumb Bob
- Silicone
- Construction adhesive

### You will find:

- Door
- Inner frame around door
- Sidelites
- Outer frame (this will be in pieces to be assembled)
- Screw packet (this is generic, they may be extra screws in some cases)

## Assembly

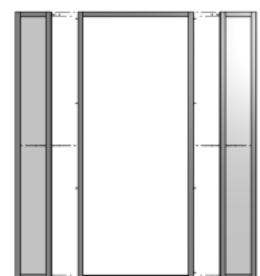
1. Remove door from door frame by lifting off the hinges. You will need a helper to do this. In some cases, it may be more practical to unscrew the hinges from the door. Set door aside in a safe space to avoid knocks and scratches.



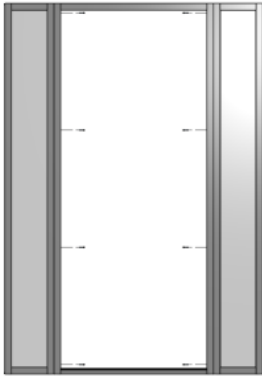
2. Lay some 4" x 2" timbers or similar as wide as the frame as bearers on the ground. This is to raise the frame off the ground by about 90mm to simplify attaching the backing flange.

3. Layout main frame pieces on the ground (door frame and sidelites). Ensure rebate for door and glazing beads are facing upwards.

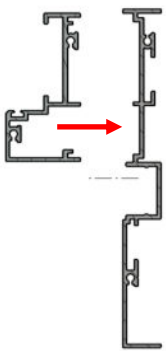
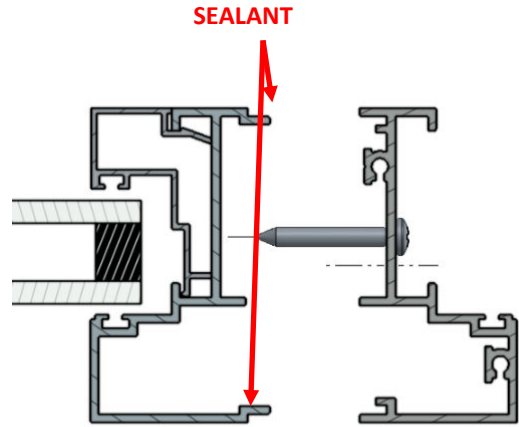
DOWNWARDS



4. Seal joints by running a small bead of sealant where the main frame joins.



5. Push joins together and screw using 3/4 x #8 pan head screws into pre drilled holes. Avoid over-tightening. Some quick grip clamps or similar may be useful when assembling.

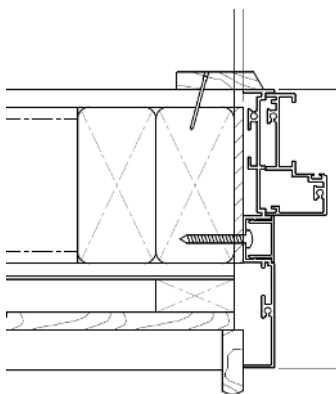


6. Assemble backing flange around frame. Start with the head, screw fix to frame and then attach the jambs. The holes should line up for screw fixing, but in the event they don't there is a 4mm drill bit supplied.

7. Screw backing flange to the jambs using the predrilled holes. Avoid overtightening.

8. Using plumb-bob, check opening in house for plumbness. Mark location for subsill accordingly.

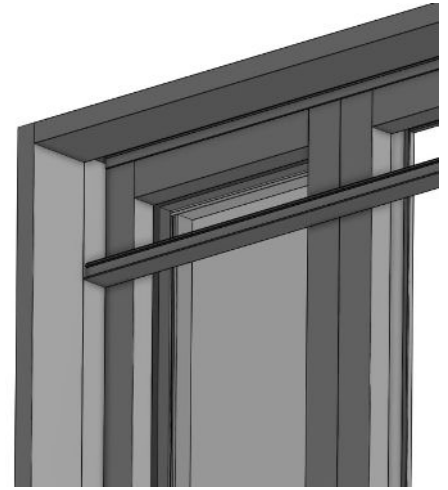
9. Glue the sill to the floor using liquid nails or any heavy duty construction adhesive.



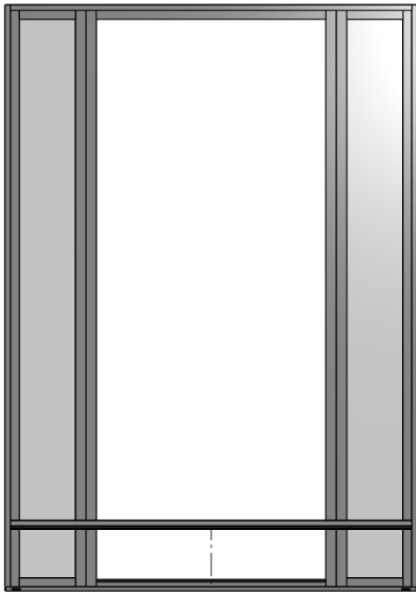
10. Lift the assembled frame onto the subsill. If you have a sidelite, an extra couple of helpers to do this is useful.

11. Pack and fix the frame off through the fixing groove into the stud. Where able, it is recommended that fixings are made through the hinge jamb, above and below each hinge. H packers are useful at this stage for taking up tolerance between the wall and frame. Note that all the fixing will be concealed.

12. All the fixings are concealed with powder-coated infills. Beginning with the side infill, tap in place with a block of wood and a mallet. Once the side infills are installed, insert the top one. **Note:** Tapping the infills may require more force than expected.



**Note:** Infills are difficult to remove once installed. Only fit these once you are sure that no further adjustments are necessary.



13. Run a bead of silicone on the small flange that protrudes from the extrusion on the bottom of the door frame.
14. Lay the sill tread on the subsill. Tap this in place with a rubber mallet.
15. Clean up any excess silicone that oozes out immediately.
16. Lift the door back onto its hinges (you will need a helper).

STUCK? VISIT OUR WEBSITE OR FIND CONTACT DETAILS  
AT [WWW.PARKWOODDOORS.COM.AU](http://WWW.PARKWOODDOORS.COM.AU)

