



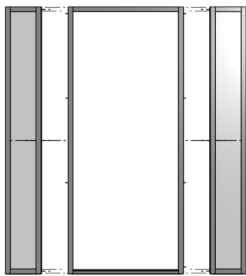
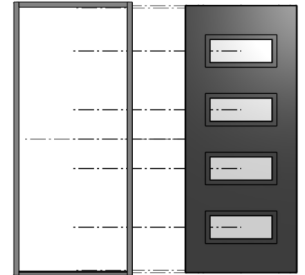
INSTALL INSTRUCTIONS

STRATA 160 RESIDENTIAL FRAME

You will need

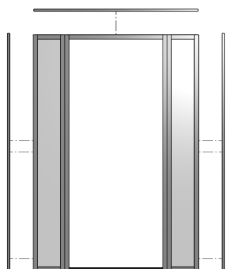
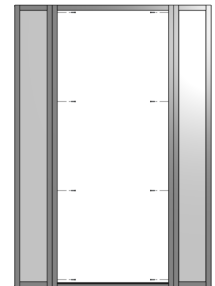
- Tape Measure
- Driver with #2 Square Bit
- Caulking Gun
- Rubber Mallet
- Level
- Plumb Bob

1. Remove packaging from frame and dispose of.
2. Remove door from door frame by lifting off the hinges.

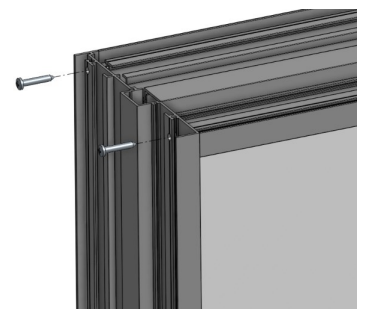


3. Layout main frame pieces on a flat surface. This includes the frame and any sidelites.

4. Seal joints by running a small bead of sealant where the main frame joins.
5. Push joints together and screw using 3/4 x 8 pan head screws. Avoid overtightening.



6. Layout backing flange pieces beside the main frame assembly. Screw the backing flange sides to the head.



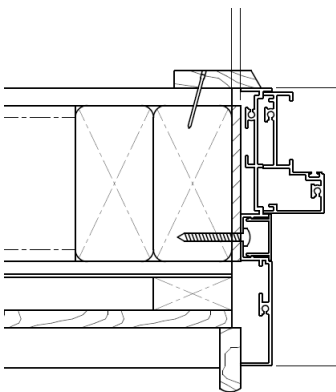
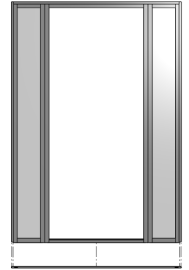
STUCK? VISIT OUR WEBSITE OR FIND CONTACT DETAILS
AT WWW.PARKWOODDOORS.COM.AU



8. Screw backing flange to the jambs using the predrilled holes. Avoid over-tightening.
9. Using plumb-bob, check opening for plumbness. Mark location for subsill accordingly.

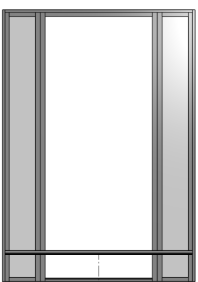
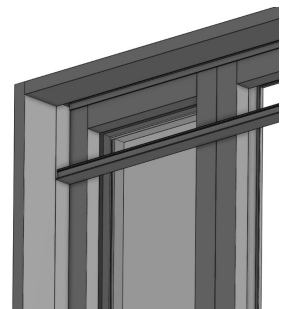
10. Lay subsill on floor where the frame is to be installed. Screw subsill to floor. Ensure the drainage holes are away from the house.

11. Lift frame onto subsill, ensuring that it is properly seated on the subsill.



12. Fix frame to wall through the fixing channel. Use H-packers between the frame and the stud.

13. Install infills into the fixing channel. Insert the side infills before the top infill. Use the rubber mallet or block of wood to tap into place.



14. Run a small bead of sealant along the channels for the sill tread.
15. Lay the sill tread in place and tap down with the rubber mallet until it 'clicks' into place'
16. Lift door onto hinges - your frame is now complete !