

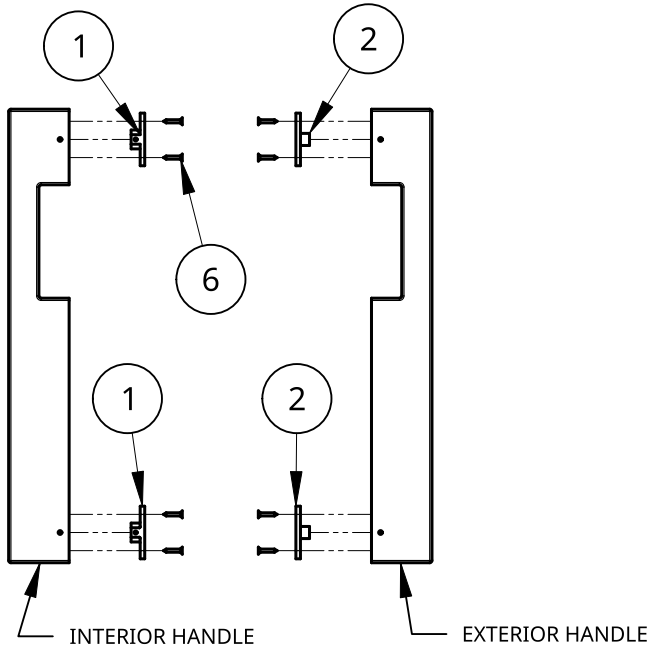


NEW ZEALAND | 0800 10 10 28
 sales@parkwooddoors.co.nz
 parkwooddoors.co.nz

AUSTRALIA | 1800 681 586
 sales@parkwooddoors.com.au
 parkwooddoors.com.au

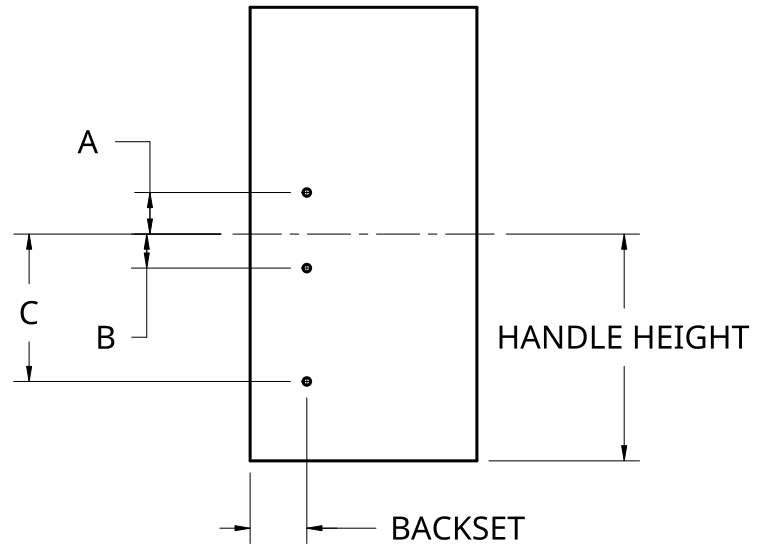
HANDLE DRILLING				
CODE	HANDLE	A	B	C
HAN6450TBA	450 PULL HANDLE	100	270	-
HAN6600TBA	600 PULL HANDLE	135	385	-
HAN6800TBA	800 PULL HANDLE	170	550	-
HAN71800TBA	1800 LONG PULL HANDLE	860	210	860
HAN72000TBA	2000 LONG PULL HANDLE	960	235	960
HAN72200TBA	2200 LONG PULL HANDLE	1060	260	1060
HAN72400TBA	2400 LONG PULL HANDLE	1160	285	1160

1. ASSEMBLE PULL HANDLES

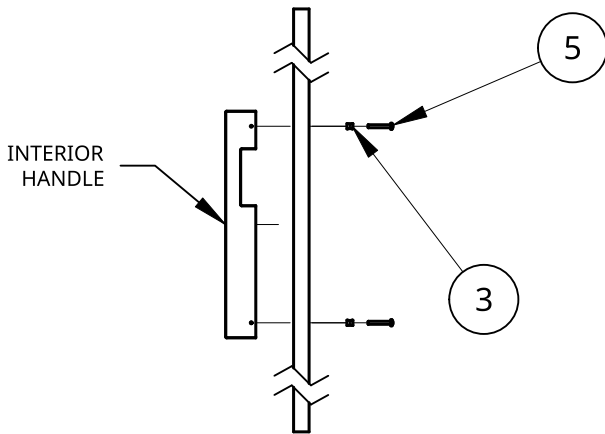


2. MARK AND DRILL DOOR

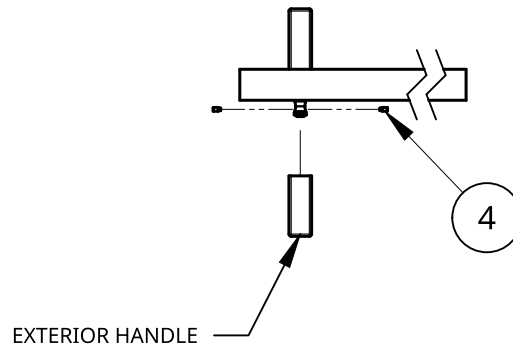
USING A Ø9 DILL FOR HOLES



3. MOUNT INTERIOR HANDLE



3. MOUNT EXTERIOR HANDLE



KIT CONTENTS

NO	ITEM	HAN7__TBA	HAN6__TBA
1	SPIGOT A	3	2
2	SPIGOT B	3	2
3	BUSH	3	2
4	M5 x 10 GRUB SCREW	6	4
5	M8 x 80 MACHINE SCREW	3	2
6	8ga x 25 CSK SCREW	12	8
7	ALLEN KEY	1	1

Product Description:

NIXON BATTEN PULL HANDLE PAIR

Product Code:	HAN__TBA	Date:	07/04/2023
Material:		Units:	EACH