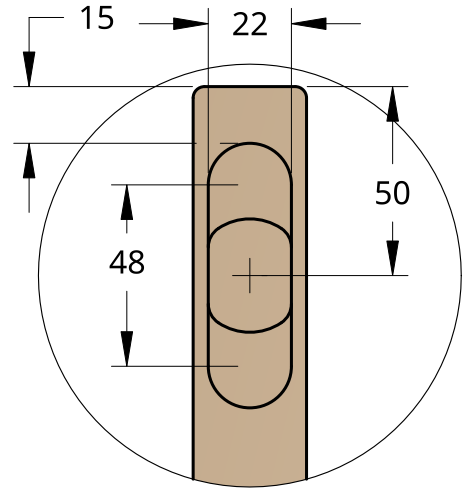
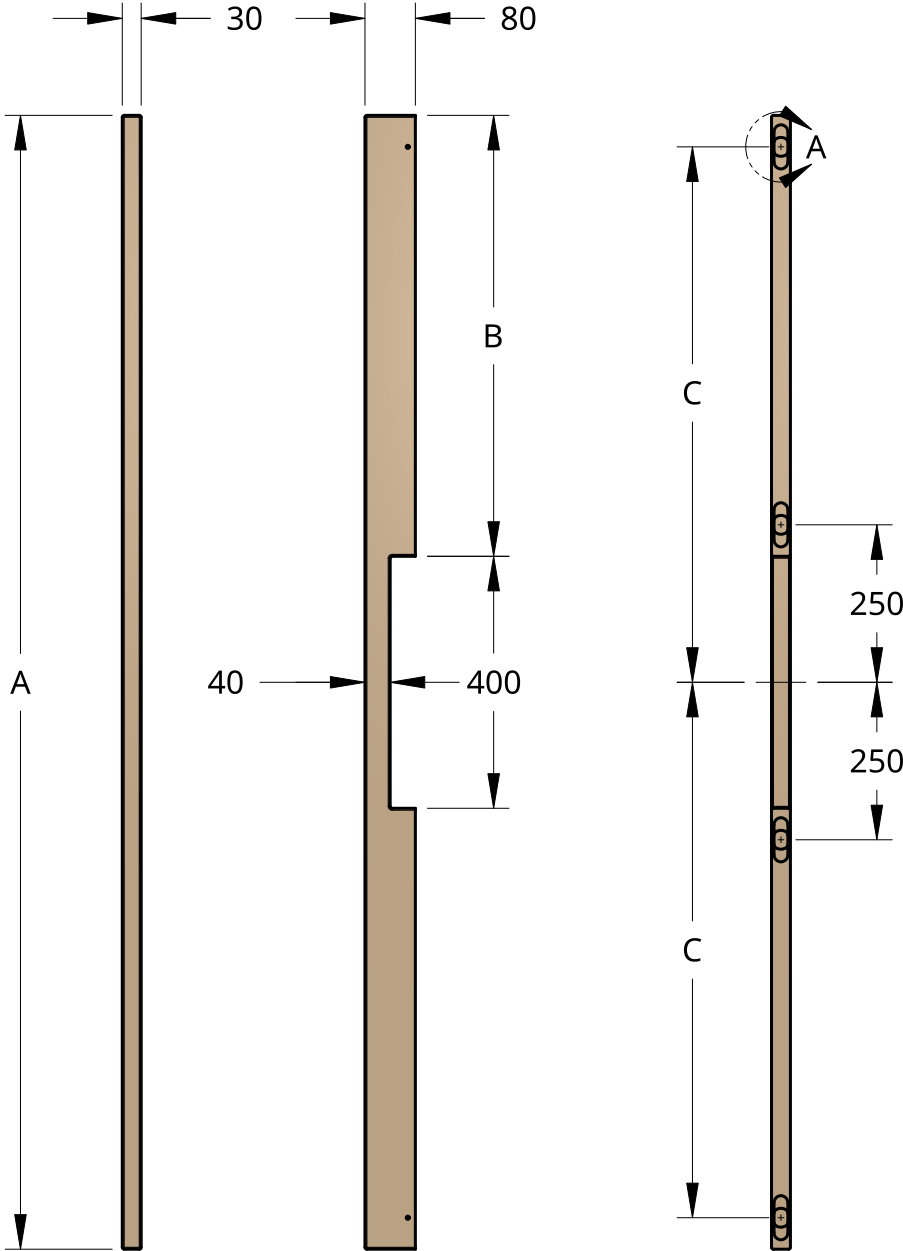




NEW ZEALAND | 0800 10 10 28
 sales@parkwooddoors.co.nz
 parkwooddoors.co.nz

AUSTRALIA | 1800 681 586
 sales@parkwooddoors.com.au
 parkwooddoors.com.au



DETAIL A
 SCALE 1:2

Product Variations

Code	A	B	C
HAN72400A	VARIES	$(A-400)/2$	$(A/2)-40$

Product Description:

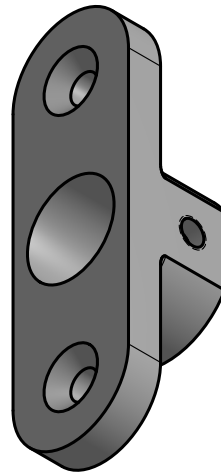
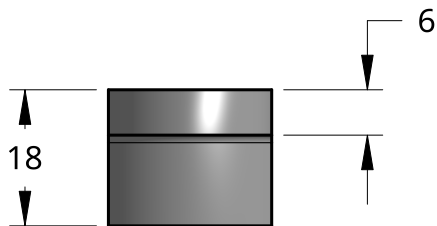
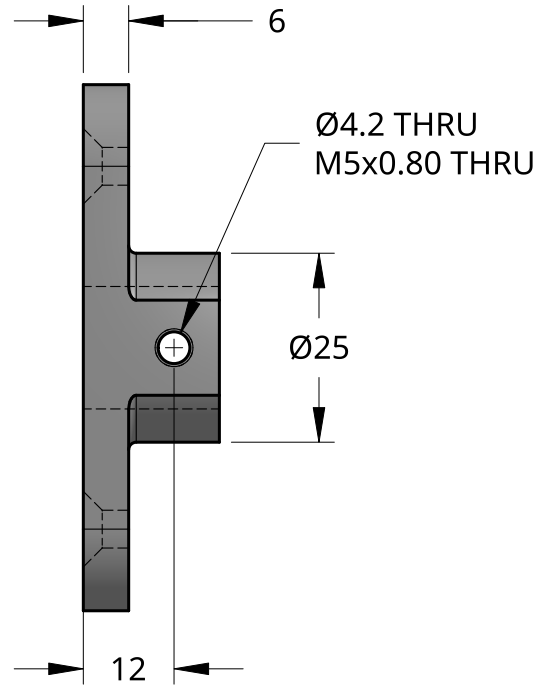
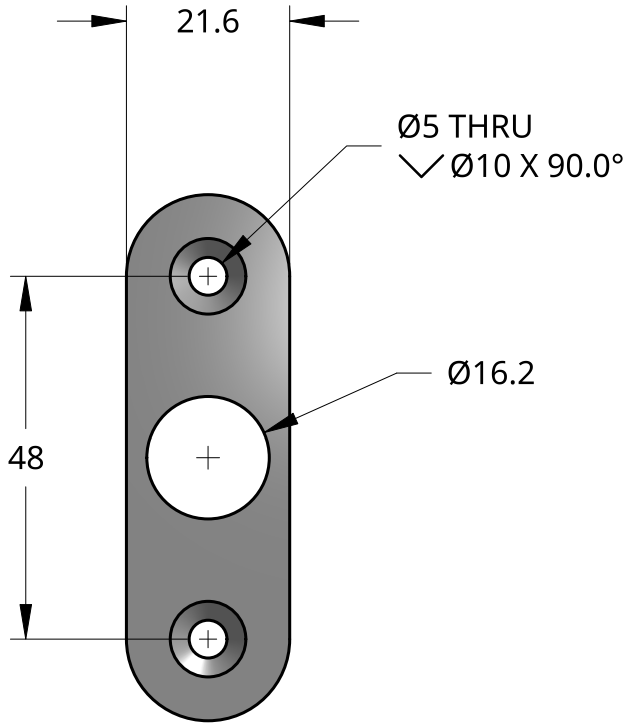
NIXON BATTEN PULL HANDLE

Product Code:	SEE TABLE	Date:	05/04/2023
Material:	TIMBER	Units:	EACH



NEW ZEALAND | 0800 10 10 28
 sales@parkwooddoors.co.nz
 parkwooddoors.co.nz

AUSTRALIA | 1800 681 586
 sales@parkwooddoors.com.au
 parkwooddoors.com.au

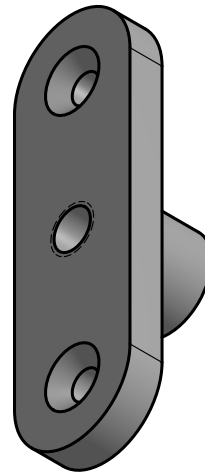
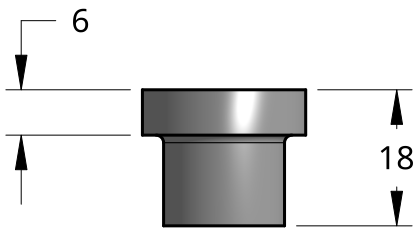
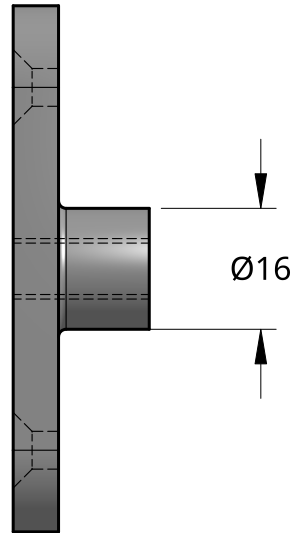
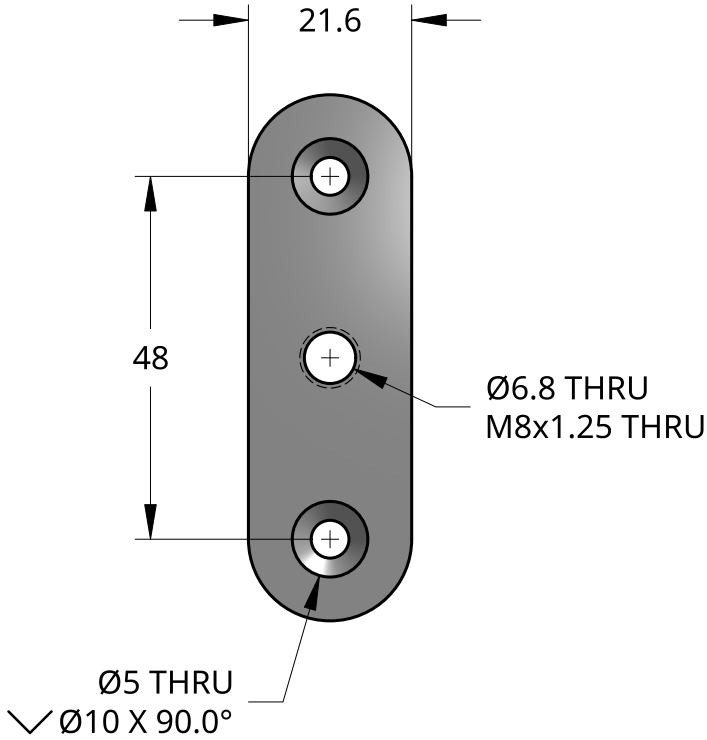


Product Description:			
HANDLE SPIGOT			
Product Code:		Date:	05/04/2023
Material:		Units:	EACH

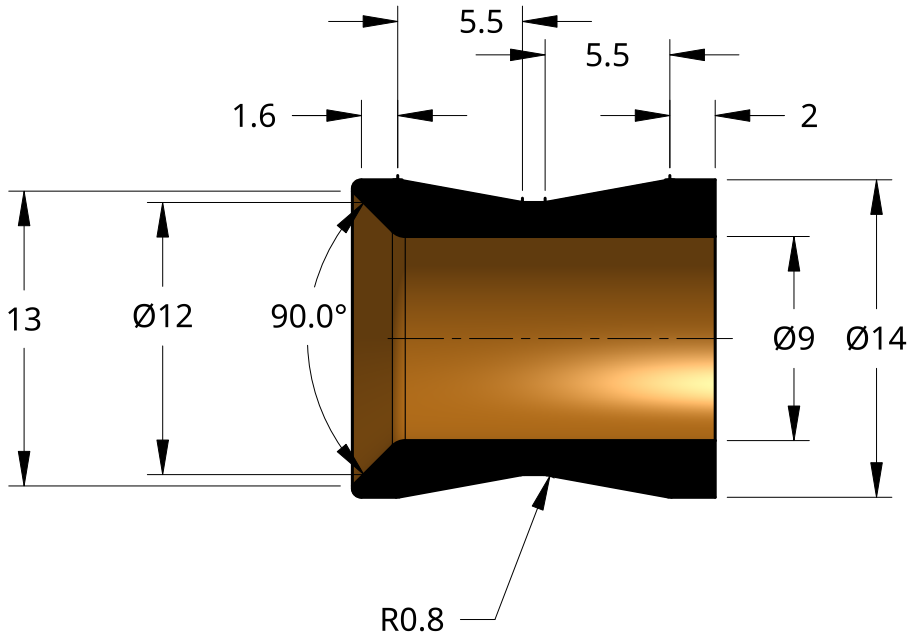
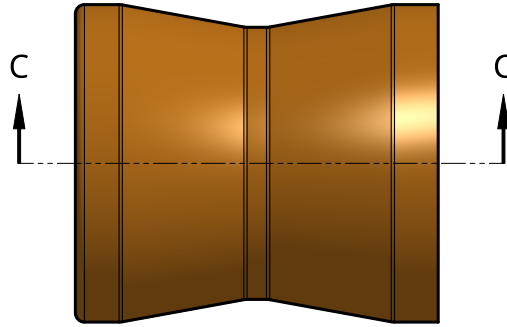


NEW ZEALAND | 0800 10 10 28
sales@parkwooddoors.co.nz
parkwooddoors.co.nz

AUSTRALIA | 1800 681 586
sales@parkwooddoors.com.au
parkwooddoors.com.au



Product Description:			
HANDLE SPIGOT			
Product Code:		Date:	05/04/2023
Material:		Units:	EACH



SECTION C - C

Product Description:			
BUSH			
Product Code:		Date:	05/04/2023
Material:		Units:	EACH