

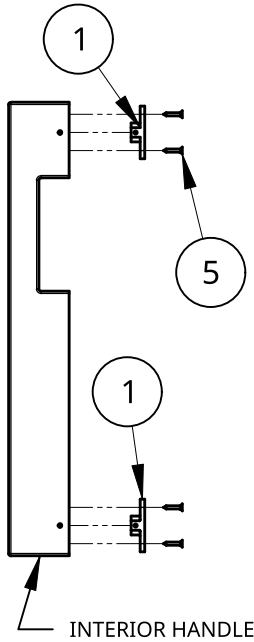


NEW ZEALAND | 0800 10 10 28
 sales@parkwooddoors.co.nz
 parkwooddoors.co.nz

AUSTRALIA | 1800 681 586
 sales@parkwooddoors.com.au
 parkwooddoors.com.au

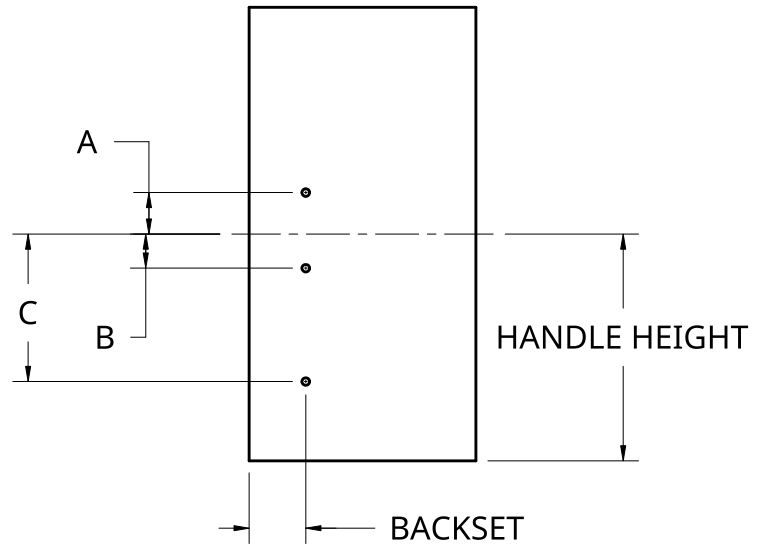
HANDLE DRILLING				
CODE	HANDLE	A	B	C
HAN6450	450 PULL HANDLE	110	240	-
HAN6600	600 PULL HANDLE	125	375	-
HAN6800	800 PULL HANDLE	150	540	540
HAN71800	1800 LONG PULL HANDLE	850	250	850
HAN72000	2000 LONG PULL HANDLE	950	250	950
HAN72200	2200 LONG PULL HANDLE	1050	250	1050
HAN72400	2400 LONG PULL HANDLE	1150	250	1150

1. ASSEMBLE PULL HANDLE

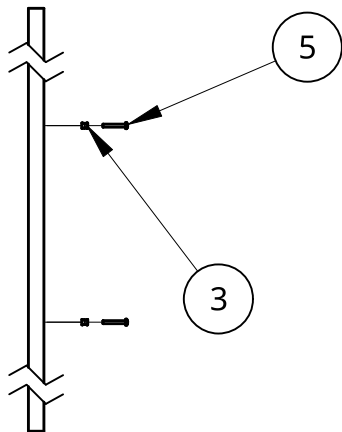


2. MARK AND DRILL DOOR

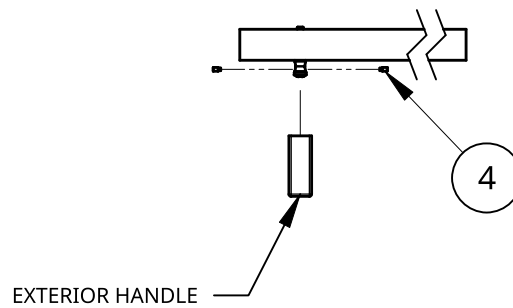
DRILL A Ø3 PILOT HOLE, 25MM DEEP



3. MOUNT BUSHES



3. MOUNT HANDLE



KIT CONTENTS			
NO	ITEM	HAN7__ TBA	HAN6__ TBA
1	SPIGOT A	3	2
3	BUSH	3	2
4	M5 x 10 GRUB SCREW	6	4
5	14ga x 50 CSK SCREW	3	2
6	8ga x 25 CSK SCREW	12	8
7	ALLEN KEY	1	1

Product Description:			
NIXON BATTEN PULL HANDLE			
Product Code:	HAN__	Date:	17/03/2026
Material:		Units:	EACH