

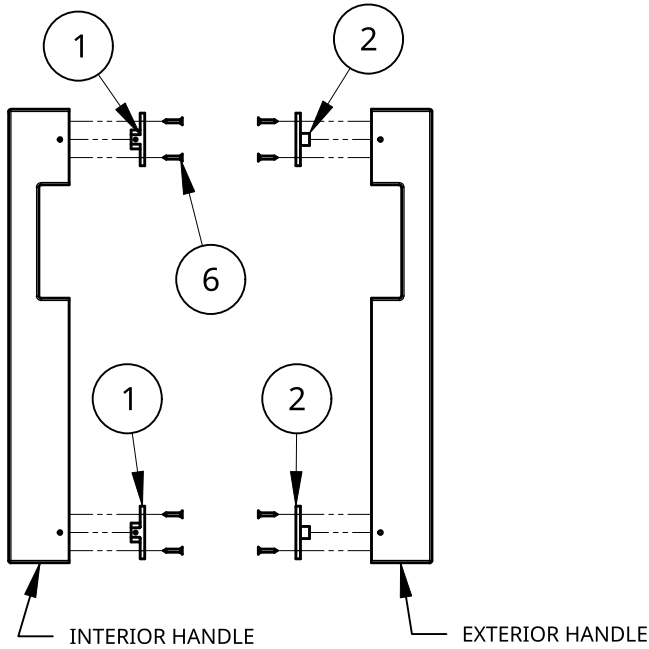


NEW ZEALAND | 0800 10 10 28
 sales@parkwooddoors.co.nz
 parkwooddoors.co.nz

AUSTRALIA | 1800 681 586
 sales@parkwooddoors.com.au
 parkwooddoors.com.au

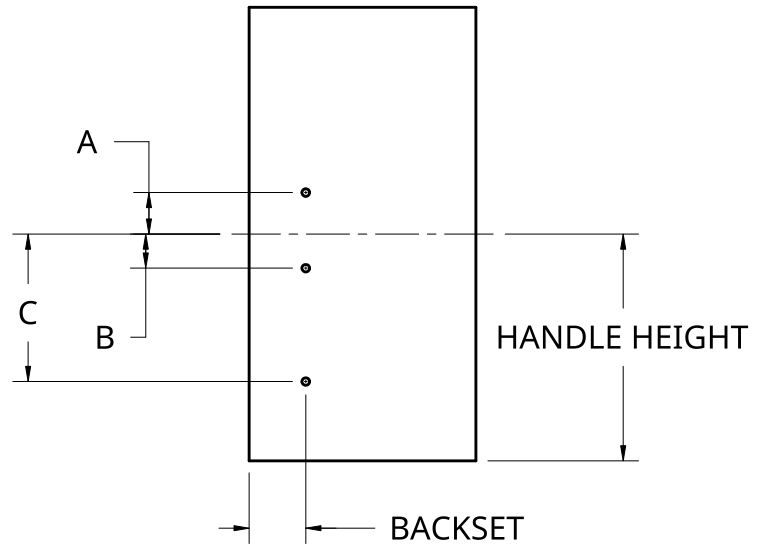
| HANDLE DRILLING | | | | |
|-----------------|-----------------------|------|------|------|
| CODE | HANDLE | A | B | C |
| HAN6450BTB | 450 PULL HANDLE | 110 | 240 | - |
| HAN6600BTB | 600 PULL HANDLE | 125 | 375 | - |
| HAN6800BTB | 800 PULL HANDLE | 150 | 140 | 540 |
| HAN71800BTB | 1800 LONG PULL HANDLE | 850 | 2250 | 850 |
| HAN72000BTB | 2000 LONG PULL HANDLE | 950 | 250 | 950 |
| HAN72200BTB | 2200 LONG PULL HANDLE | 1050 | 250 | 1050 |
| HAN72400BTB | 2400 LONG PULL HANDLE | 1150 | 250 | 1150 |

1. ASSEMBLE PULL HANDLES

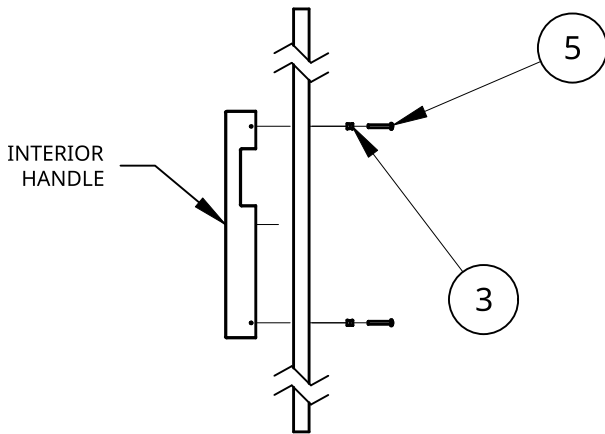


2. MARK AND DRILL DOOR

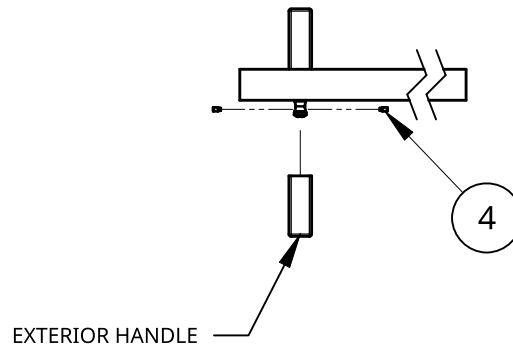
USING A Ø9 DILL FOR HOLES



3. MOUNT INTERIOR HANDLE



3. MOUNT EXTERIOR HANDLE



KIT CONTENTS

| NO | ITEM | HAN7__TBA | HAN6__TBA |
|----|-----------------------|-----------|-----------|
| 1 | SPIGOT A | 3 | 2 |
| 2 | SPIGOT B | 3 | 2 |
| 3 | BUSH | 3 | 2 |
| 4 | M5 x 10 GRUB SCREW | 6 | 4 |
| 5 | M8 x 80 MACHINE SCREW | 3 | 2 |
| 6 | 8ga x 25 CSK SCREW | 12 | 8 |
| 7 | ALLEN KEY | 1 | 1 |

Product Description:

NIXON BATTEN PULL HANDLE PAIR

| | | | |
|---------------|----------|--------|------------|
| Product Code: | HAN__BTB | Date: | 17/03/2026 |
| Material: | | Units: | EACH |